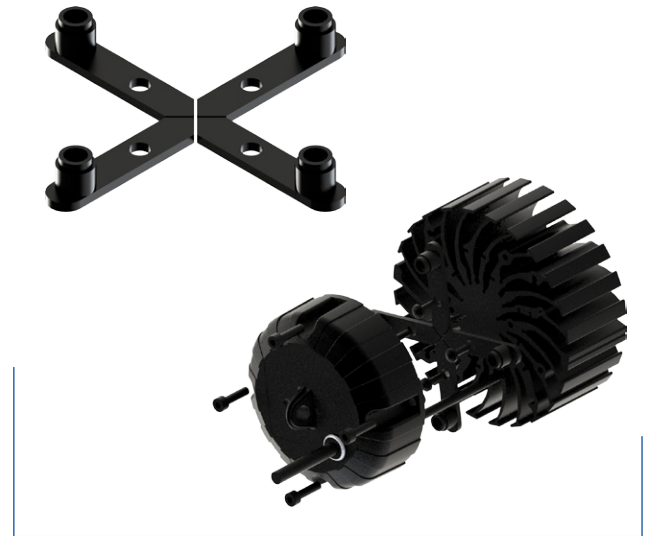


Connector Set for Mean Well HBG series High Bay LED Drivers

Features & Benefits

- Creates an 11mm gap and allows at the meantime an interchangeability towards all the ModuLED and CoolBay® models
- 4 versions available for connection with Mean Well HBG-60, HBG-100, HBG-160, HBG-240 series LED drivers
- Dedicated mounting holes with MechaTronix ModuLED Mega-HBG, ModuLED Giga-HBG, CoolBay® Giga, CoolBay® Tera high bay LED coolers



Order Information

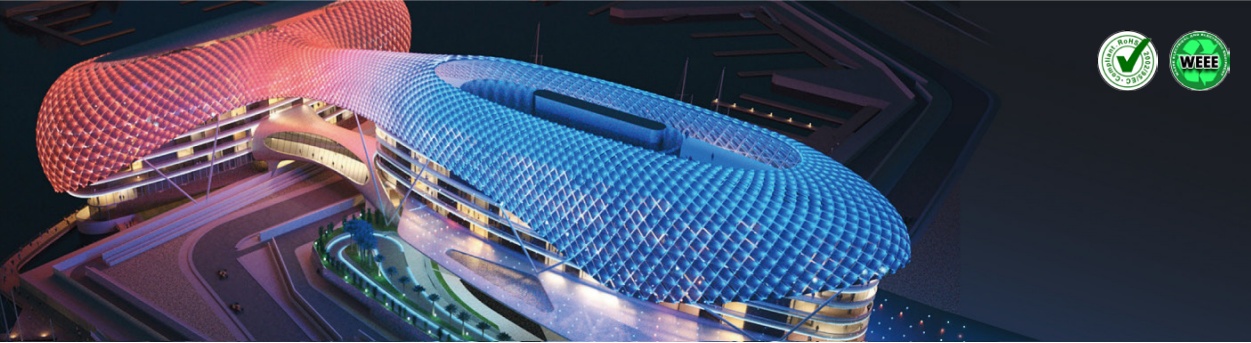


Example : Connector set for HBG-60

Connector set for HBG - 1

1 Compatiable driver

- 60 : for MW driver HBG-60
- 100 : for MW driver HBG-100
- 160 : for MW driver HBG-160
- 240 : for MW driver HBG-240



Connector Set for Mean Well HBG series High Bay LED Drivers

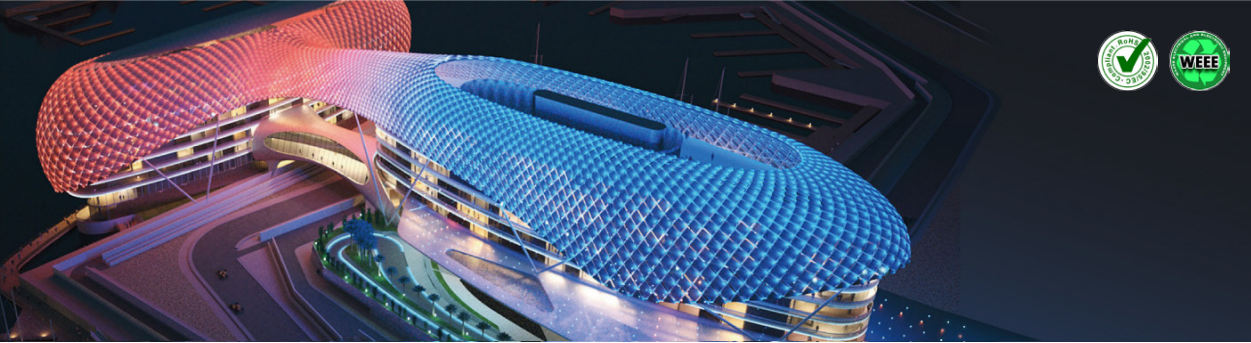
Product Details

| Model n° | Connector set for HBG-60 | Connector set for HBG-100 |
|----------------|--------------------------|---------------------------|
| Dimension (mm) | ø118 | ø133 |
| Weight (gr) | 65 | 75 |
| Material | AL1060 | AL1060 |

| Model n° | Connector set for HBG-160 | Connector set for HBG-240 |
|----------------|---------------------------|---------------------------|
| Dimension (mm) | ø152 | ø174 |
| Weight (gr) | 85 | 110 |
| Material | AL1060 | AL1060 |

Notes:

- MechaTronix reserves the right to change products or specifications without prior notice.
- Mentioned models are an extraction of full product range.
- For specific mechanical adaptations please contact MechaTronix.



Connector Set for Mean Well HBG series High Bay LED Drivers

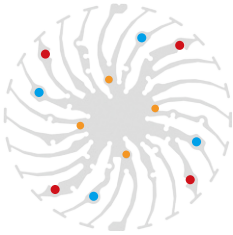
Mounting Instructions



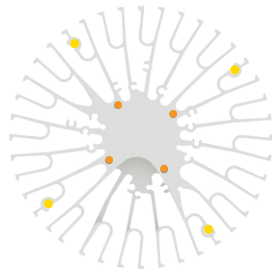
The Mean Well HBG LED drivers are specifically developed for mid bay and high bay applications. The round shape of the HBG LED drivers gives an ergonomic fitting with the ModuLED high bay cooler. Thermally this driver is specific designed to sit on top of a LED cooler, with the critical components thermally coupled to the top of the driver so free air convection can be optimal. In combination with the MechaTronix ModuLED Mega HBG this makes your ideal LED engine up to 10,000 lumen.

Mounting indicator marks overview on MTX High Bay LED Coolers

Keep in mind to keep a gap at least 10mm between the LED cooler and the driver to allow free air convection - this can be obtained with spacers or with the MTX dedicated mounting options.



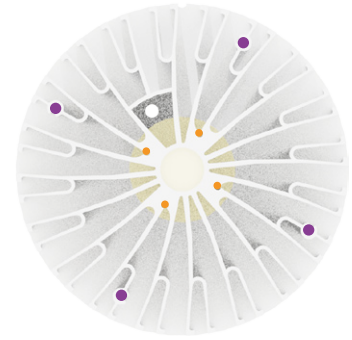
ModuLED Mega-HBG
Top - Driver side



ModuLED Giga-HBG
Top - Driver side



CoolBay® Giga
Top - Driver side



CoolBay® Tera
Top - Driver side



MEAN WELL HBG-60 series LED driver

Model Names

- HBG-60-1050
- HBG-60-1400
- HBG-60-2100

Driver mounting

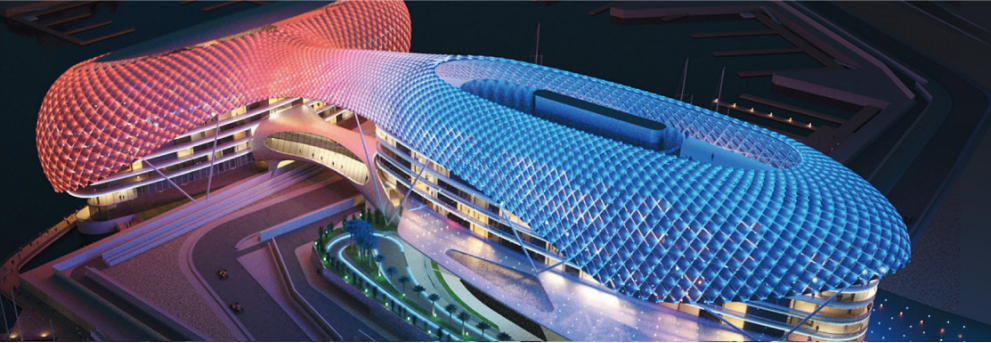
- Direct mounting with 4 spacers + (4x) M5 screws
keep minimal 10mm gap between the LED cooler
- Red indicator marks
- With Connector set for HBG-60 + (4x) M5 x 20mm screws
Red indicator marks

Model Names

- Connector set for HBG-60

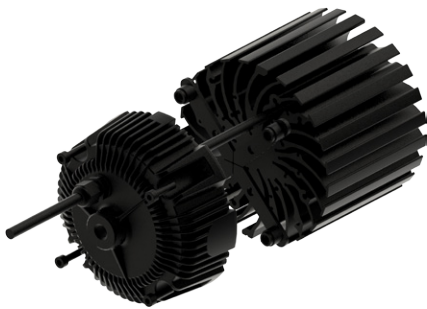
Connector set mounting

- Direct mounting on the LED cooler with 4 screws M5 x 12mm
Orange indicator marks



Connector Set for Mean Well HBG series High Bay LED Drivers

Mounting Instructions



MEAN WELL HBG-100 series LED driver

Model Names

- HBG-100-24
- HBG-100-36
- HBG-100-48
- HBG-100-60

Driver mounting

- Direct mounting with 4 spacers + (4x) M5 screws
keep minimal 10mm gap between the LED cooler
Blue indicator marks
- With Connector set for HBG-100 + (4x) M5 x 20mm screws
Blue indicator marks

Model Names

- Connector set for HBG-100

Connector set mounting

- Direct mounting on the LED cooler with 4 screws M5 x 12mm
Orange indicator marks



MEAN WELL HBG-160 series LED driver

Model Names

- HBG-160-24
- HBG-160-36
- HBG-160-48
- HBG-160-60

Driver mounting

- Direct mounting with 4 spacers + (4x) M5 screws
keep minimal 10mm gap between the LED cooler
Yellow indicator marks
- With Connector set for HBG-160 + (4x) M5 x 20mm screws
Yellow indicator marks

Model Names

- Connector set for HBG-160

Connector set mounting

- Direct mounting on the LED cooler with 4 screws M5 x 12mm
Orange indicator marks



MEAN WELL HBG-240 series LED driver

Model Names

- HBG-240-24
- HBG-240-36
- HBG-240-48
- HBG-240-60

Driver mounting

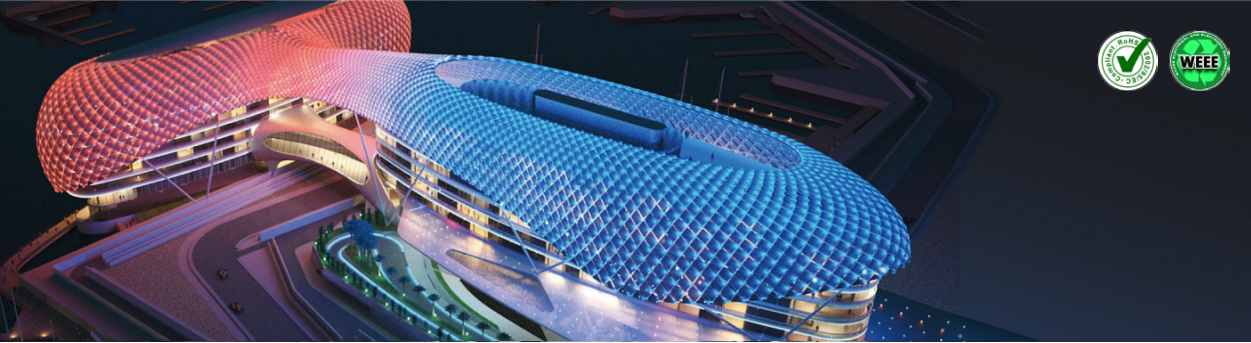
- Direct mounting with 4 spacers + (4x) M5 screws
keep minimal 10mm gap between the LED cooler
Purple indicator marks
- With Connector set for HBG-240 + (4x) M5 x 20mm screws
Purple indicator marks

Model Names

- Connector set for HBG-240

Connector set mounting

- Direct mounting on the LED cooler with 4 screws M5 x 12mm
Orange indicator marks



Connector Set for Mean Well HBG series High Bay LED Drivers

Drawings & Dimensions

Example: Connector set for HBG-60

