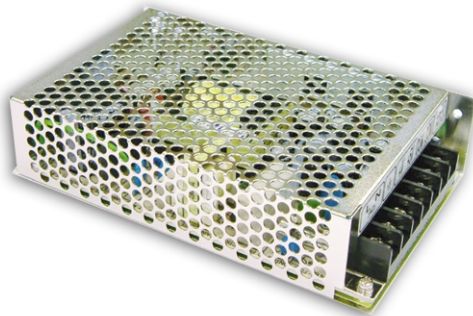




# 60W Dual Output Switching Power Supply

# D-60 series



- Features :
- Universal AC input/Full range
- Protections: Short circuit / Overload / Over voltage
- Cooling by free air convection
- LED indicator for power on
- Fixed switching frequency at 54KHz
- 2 years warranty

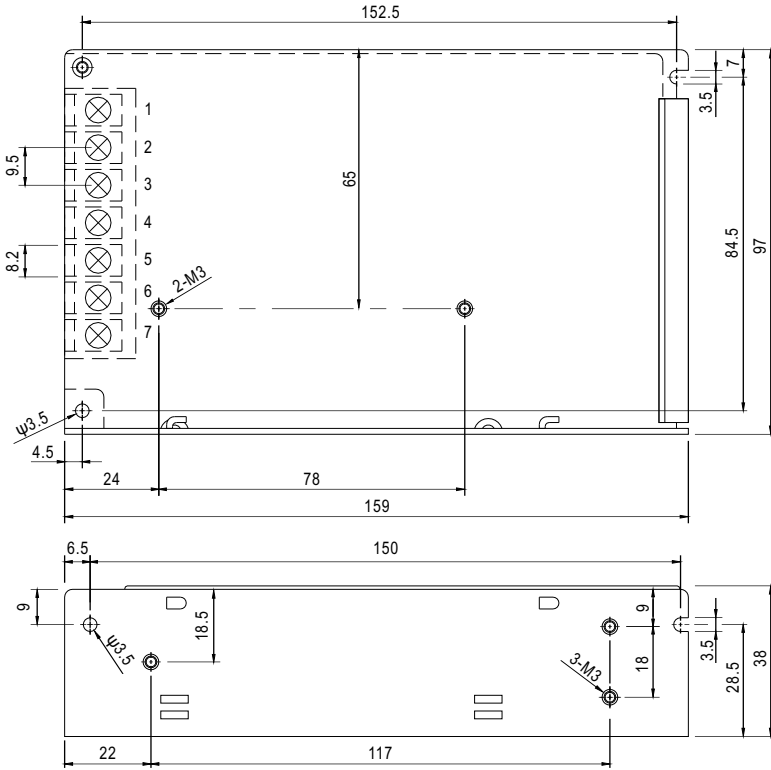


## SPECIFICATION

MODEL		D-60A		D-60B	
OUTPUT	OUTPUT NUMBER	CH1	CH2	CH1	CH2
	DC VOLTAGE	5V	12V	5V	24V
	RATED CURRENT	4A	3A	3A	1.8A
	CURRENT RANGE	0.3 ~ 6A	0.2 ~ 4A	0.3 ~ 6A	0.2 ~ 2.2A
	RATED POWER	56W		58W	
	RIPPLE & NOISE (max.) Note.2	75mVp-p		150mVp-p	
	VOLTAGE ADJ. RANGE	CH1 : 4.75 ~ 5.5V		CH1 : 4.75 ~ 5.5V	
	VOLTAGE TOLERANCE Note.3	±2.0%	±6.0%	±2.0%	±5.0%
	LINE REGULATION	±0.5%	±1.0%	±0.5%	±0.5%
	LOAD REGULATION	±0.5%	±4.0%	±0.5%	±4.0%
	SETUP, RISE TIME	300ms, 50ms / 230VAC		800ms, 50ms / 115VAC at full load	
HOLD UP TIME (Typ.)	80ms/230VAC	10ms/115VAC at full load			
INPUT	VOLTAGE RANGE	85 ~ 264VAC	120 ~ 370VDC		
	FREQUENCY RANGE	47 ~ 63Hz			
	EFFICIENCY(Typ.)	73%		76%	
	AC CURRENT (Typ.)	2A/115VAC	1A/230VAC		
	INRUSH CURRENT (Typ.)	COLD START 20A/115VAC		40A/230VAC	
LEAKAGE CURRENT	<3.5mA / 240VAC				
PROTECTION	OVERLOAD	105 ~ 150% rated output power Protection type : Hiccup mode, recovers automatically after fault condition is removed.			
	OVER VOLTAGE	5V : 5.75 ~ 6.75V Protection type : Hiccup mode, recovers automatically after fault condition is removed.			
ENVIRONMENT	WORKING TEMP.	-10 ~ +60°C (Refer to "Derating Curve")			
	WORKING HUMIDITY	20 ~ 90% RH non-condensing			
	STORAGE TEMP., HUMIDITY	-20 ~ +85°C, 10 ~ 95% RH			
	TEMP. COEFFICIENT	±0.03%/°C (0 ~ 50°C) on +5V output			
VIBRATION	10 ~ 500Hz, 2G 10min./1cycle, period for 60min. each along X, Y, Z axes				
SAFETY	SAFETY STANDARDS	UL1012, UL60950-1, TUV EN60950-1 approved			
	WITHSTAND VOLTAGE	I/P-O/P:3KVAC I/P-FG:1.5KVAC O/P-FG:0.5KVAC			
	ISOLATION RESISTANCE	I/P-O/P, I/P-FG, O/P-FG:100M Ohms / 500VDC / 25°C/ 70% RH			
OTHERS	MTBF	301.2K hrs min. MIL-HDBK-217F (25°C)			
	DIMENSION	159*97*38mm (L*W*H)			
	PACKING	0.54Kg; 24pcs/13.8Kg/0.75CUFT			
NOTE	1. All parameters NOT specially mentioned are measured at 230VAC input, rated load and 25°C of ambient temperature. 2. Ripple & noise are measured at 20MHz of bandwidth by using a 12" twisted pair-wire terminated with a 0.1uf & 47uf parallel capacitor. 3. Tolerance : includes set up tolerance, line regulation and load regulation.				

■ Mechanical Specification

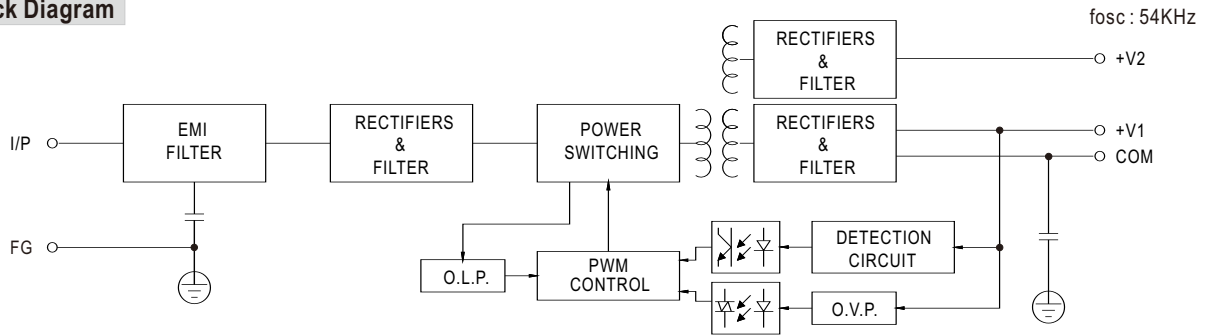
Case No. 901 Unit:mm



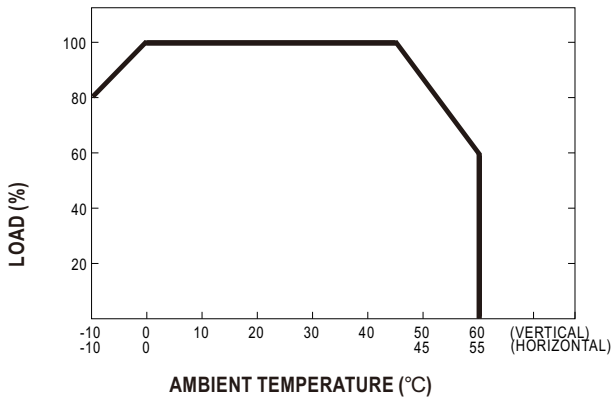
Terminal Pin No. Assignment

Pin No.	Assignment	Pin No.	Assignment
1	AC/L	4	DC OUTPUT +V2
2	AC/N	5	DC OUTPUT +V1
3	FG $\perp$	6,7	DC OUTPUT COM

■ Block Diagram



■ Derating Curve



■ Static Characteristics (B)

