



■ Features :

- Universal AC input / Full range
- Built-in active PFC function, PF>0.93
- High efficiency up to 89%
- Withstand 300VAC surge input for 5 seconds
- Protections: Short circuit / Overload / Over voltage / Over temperature
- Built-in cooling fan ON-OFF control
- Built-in DC OK signal
- Built-in remote ON-OFF control
- Standby 5V@0.3A
- Built-in remote sense function
- No load power consumption<0.75W (Note.6)
- Current sharing up to 2400W (3+1) (24V,36V,48V)
- 5 years warranty



■ GTIN CODE

MW Search: <https://www.meanwell.com/serviceGTIN.aspx>



SPECIFICATION

| MODEL | HRPG-600-3.3 | HRPG-600-5 | HRPG-600-7.5 | HRPG-600-12 | HRPG-600-15 | HRPG-600-24 | HRPG-600-36 | HRPG-600-48 | | |
|-----------------------|------------------------------|---|--------------------------|----------------------------------|--------------|----------------|--------------|--------------|--------------|--|
| OUTPUT | DC VOLTAGE | 3.3V | 5V | 7.5V | 12V | 15V | 24V | 36V | 48V | |
| | RATED CURRENT | 120A | 120A | 80A | 53A | 43A | 27A | 17.5A | 13A | |
| | CURRENT RANGE | 0 ~ 120A | 0 ~ 120A | 0 ~ 80A | 0 ~ 53A | 0 ~ 43A | 0 ~ 27A | 0 ~ 17.5A | 0 ~ 13A | |
| | RATED POWER | 396W | 600W | 600W | 636W | 645W | 648W | 630W | 624W | |
| | RIPPLE & NOISE (max.) Note.2 | 120mVp-p | 150mVp-p | 150mVp-p | 150mVp-p | 150mVp-p | 150mVp-p | 200mVp-p | 240mVp-p | |
| | VOLTAGE ADJ. RANGE | 2.8 ~ 3.8V | 4.3 ~ 5.8V | 6.8 ~ 9V | 10.2 ~ 13.8V | 13.5 ~ 18V | 21.6 ~ 28.8V | 28.8 ~ 39.6V | 40.8 ~ 55.2V | |
| | VOLTAGE TOLERANCE Note.3 | ±2.0% | ±2.0% | ±2.0% | ±1.0% | ±1.0% | ±1.0% | ±1.0% | ±1.0% | |
| | LINE REGULATION | ±0.5% | ±0.5% | ±0.5% | ±0.3% | ±0.3% | ±0.2% | ±0.2% | ±0.2% | |
| | LOAD REGULATION | ±1.0% | ±1.0% | ±1.0% | ±0.5% | ±0.5% | ±0.5% | ±0.5% | ±0.5% | |
| | SETUP, RISE TIME | 1000ms, 50ms/230VAC | | 2500ms, 50ms/115VAC at full load | | | | | | |
| HOLD UP TIME (Typ.) | 16ms/230VAC | | 16ms/115VAC at full load | | | | | | | |
| INPUT | VOLTAGE RANGE Note.4 | 85 ~ 264VAC | | 120 ~ 370VDC | | | | | | |
| | FREQUENCY RANGE | 47 ~ 63Hz | | | | | | | | |
| | POWER FACTOR (Typ.) | PF>0.93/230VAC | | PF>0.99/115VAC at full load | | | | | | |
| | EFFICIENCY (Typ.) | 78.5% | 82% | 86% | 88% | 88% | 88% | 89% | 89% | |
| | AC CURRENT (Typ.) | 7.6A/115VAC | 3.6A/230VAC | | | | | | | |
| | INRUSH CURRENT (Typ.) | 35A/115VAC | 70A/230VAC | | | | | | | |
| LEAKAGE CURRENT | <1.2mA / 240VAC | | | | | | | | | |
| PROTECTION | OVERLOAD | 105 ~ 135% rated output power Protection type : Constant current limiting, recovers automatically after fault condition is removed | | | | | | | | |
| | OVER VOLTAGE | 3.96 ~ 4.62V | 6 ~ 7V | 9.4 ~ 10.9V | 14.4 ~ 16.8V | 18.8 ~ 21.8V | 30 ~ 34.8V | 41.4 ~ 48.6V | 57.6 ~ 67.2V | |
| | OVER TEMPERATURE | Shut down o/p voltage, recovers automatically after temperature goes down | | | | | | | | |
| FUNCTION | 5V STANDBY | 5VSB : 5V@0.3A ; tolerance ±5%, ripple : 50mVp-p(max.) | | | | | | | | |
| | DC OK SIGNAL | PSU turn on : 3.3 ~ 5.6V ; PSU turn off : 0 ~ 1V | | | | | | | | |
| | REMOTE CONTROL | RC+ / RC-: 4 ~ 10V or open = power on ; 0 ~ 0.8V or short = power off | | | | | | | | |
| | FAN CONTROL (Typ.) | Load 35 ± 15% or RTH2 ≥ 50°C Fan on | | | | | | | | |
| ENVIRONMENT | WORKING TEMP. | -40 ~ +70°C (Refer to "Derating Curve") | | | | | | | | |
| | WORKING HUMIDITY | 20 ~ 90% RH non-condensing | | | | | | | | |
| | STORAGE TEMP., HUMIDITY | -40 ~ +85°C, 10 ~ 95% RH non-condensing | | | | | | | | |
| | TEMP. COEFFICIENT | ±0.03%/°C (0 ~ 50°C) | | | | | | | | |
| | VIBRATION | 10 ~ 500Hz, 5G 10min./1cycle, 60min. each along X, Y, Z axes | | | | | | | | |
| SAFETY & EMC (Note 7) | SAFETY STANDARDS | UL62368-1, TUV BS EN/EN62368-1, EAC TP TC 004 approved | | | | | | | | |
| | WITHSTAND VOLTAGE | I/P-O/P:3KVAC | | I/P-FG:2KVAC | | O/P-FG:0.5KVAC | | | | |
| | ISOLATION RESISTANCE | I/P-O/P, I/P-FG, O/P-FG:100M Ohms / 500VDC / 25°C / 70% RH | | | | | | | | |
| | EMC EMISSION | Compliance to BS EN/EN55032 (CISPR32) Class B, BS EN/EN61000-3-2,-3, EAC TP TC 020 | | | | | | | | |
| | EMC IMMUNITY | Compliance to BS EN/EN61000-4-2,3,4,5,6,8,11, BS EN/EN55035, BS EN/EN61000-6-2, heavy industry level, EAC TP TC 020 | | | | | | | | |
| OTHERS | MTBF | 1142.5K hrs min. Telcordia SR-332 (Bellcore) ; 138.5K hrs min. | | MIL-HDBK-217F (25°C) | | | | | | |
| | DIMENSION | 218*105*63.5mm (L*W*H) | | | | | | | | |
| | PACKING | 1.58Kg;8pcs/13.6Kg/1.34CUFT | | | | | | | | |

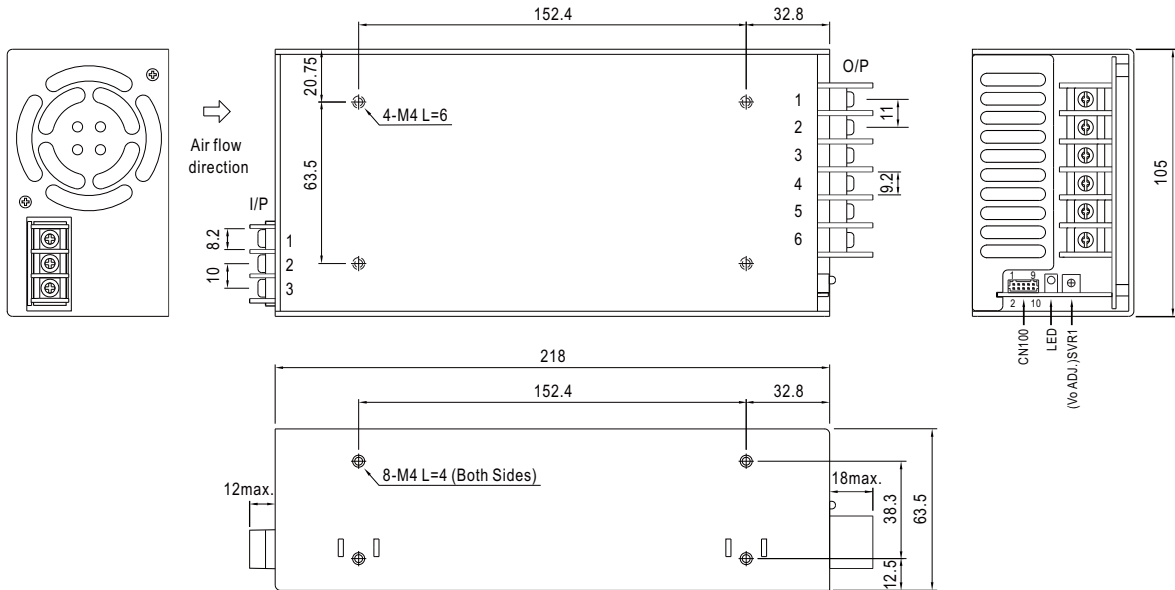
NOTE

1. All parameters NOT specially mentioned are measured at 230VAC input, rated load and 25°C of ambient temperature.
2. Ripple & noise are measured at 20MHz of bandwidth by using a 12" twisted pair-wire terminated with a 0.1uf & 47uf parallel capacitor.
3. Tolerance : includes set up tolerance, line regulation and load regulation.
4. Derating may be needed under low input voltages. Please check the derating curve for more details.
5. Length of set up time is measured at first cold start. Turning ON/OFF the power supply may lead to increase of the set up time.
6. No load power consumption<0.75W when RC+ & RC- (CN100 pin3,4) 0 ~ 0.8V or short.
7. The power supply is considered a component which will be installed into a final equipment. All the EMC tests are been executed by mounting the unit on a 360mm*360mm metal plate with 1mm of thickness. The final equipment must be re-confirmed that it still meets EMC directives. For guidance on how to perform these EMC tests, please refer to "EMI testing of component power supplies." (as available on https://www.meanwell.com/Upload/PDF/EMI_statement_en.pdf)
8. The ambient temperature derating of 3.5°C/1000m with fanless models and of 5°C/1000m with fan models for operating altitude higher than 2000m(6500ft).

※ Product Liability Disclaimer : For detailed information, please refer to <https://www.meanwell.com/serviceDisclaimer.aspx>

Mechanical Specification

Case No. 977A Unit:mm



AC Input Terminal Pin No. Assignment

| Pin No. | Assignment |
|---------|------------|
| 1 | AC/L |
| 2 | AC/N |
| 3 | FG \perp |

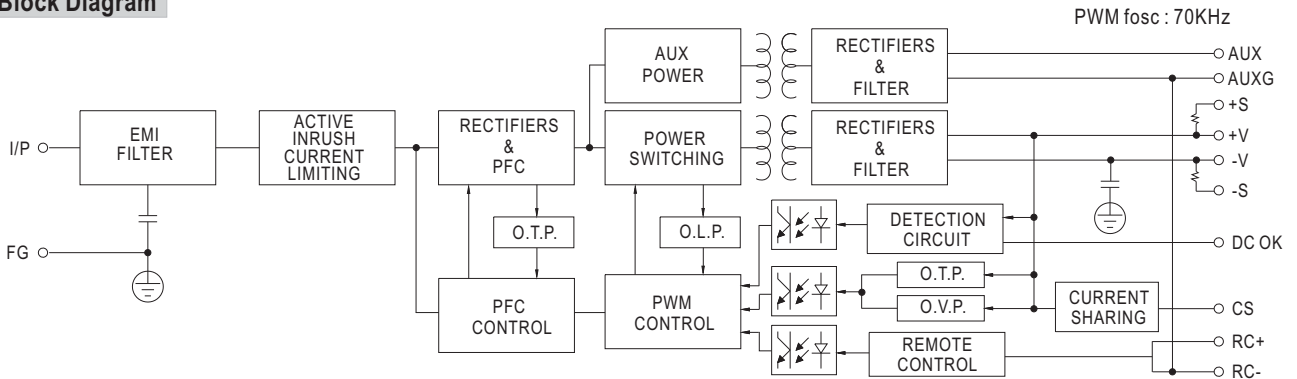
DC Output Terminal Pin No. Assignment

| Pin No. | Assignment |
|---------|------------|
| 1~3 | -V |
| 4~6 | +V |

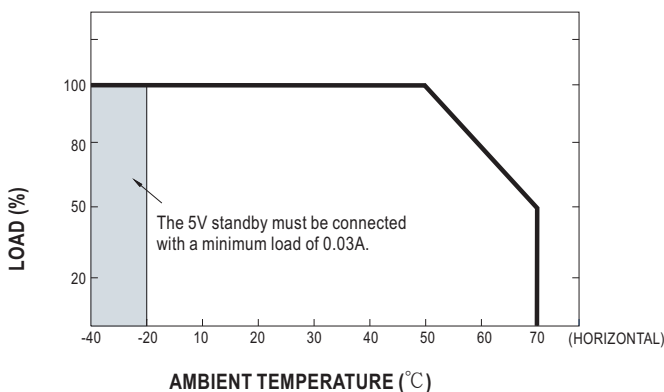
Connector Pin No. Assignment (CN100) : HRS DF11-10DP-2DS or equivalent

| Pin No. | Assignment | Pin No. | Assignment | Mating Housing | Terminal |
|---------|------------|---------|------------|-----------------------------|-----------------------------|
| 1 | AUXG | 6,8 | GND | HRS DF11-10DS or equivalent | HRS DF11-**SC or equivalent |
| 2 | AUX | 7 | DC-OK | | |
| 3 | RC+ | 9 | +S | | |
| 4 | RC- | 10 | -S | | |
| 5 | CS | | | | |

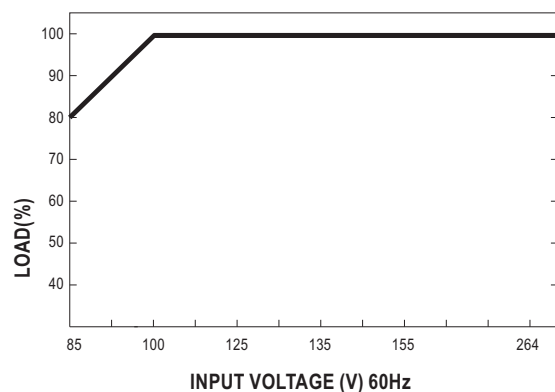
Block Diagram



Derating Curve



Output Derating VS Input Voltage



Function Description of CN100

| Pin No. | Function | Description |
|---------|----------|---|
| 1 | AUXG | Auxiliary voltage output ground. The signal return is isolated from the output terminals (+V & -V). |
| 2 | AUX | Auxiliary voltage output, 4.75~5.25V, referenced to pin 1(AUXG). The maximum load current is 0.3A. This output is not controlled by the "remote ON/OFF control". |
| 3 | RC+ | Turns the output on and off by electrical or dry contact between pin 4 (RC-), Short: Power OFF, Open: Power ON. |
| 4 | RC- | Remote control ground. |
| 5 | CS | Current sharing signal. When units are connected in parallel, the CS pins of the units should be connected to allow current balance between units. |
| 6,8 | GND | This pin connects to the negative terminal(-V). Return for DC-OK signal output. |
| 7 | DC-OK | DC-OK signal is a TTL level signal, referenced to pin8(DC-OK GND). High when PSU turns on. |
| 9 | +S | Positive sensing. The +S signal should be connected to the positive terminal of the load. The +S and -S leads should be twisted in pair to minimize noise pick-up effect. The maximum line drop compensation is 0.5V. |
| 10 | -S | Negative sensing. The -S signal should be connected to the negative terminal of the load. The -S and +S leads should be twisted in pair to minimize noise pick-up effect. The maximum line drop compensation is 0.5V. |

Function Manual

1. Remote Sense

The remote sensing compensates voltage drop on the load wiring up to 0.5V.

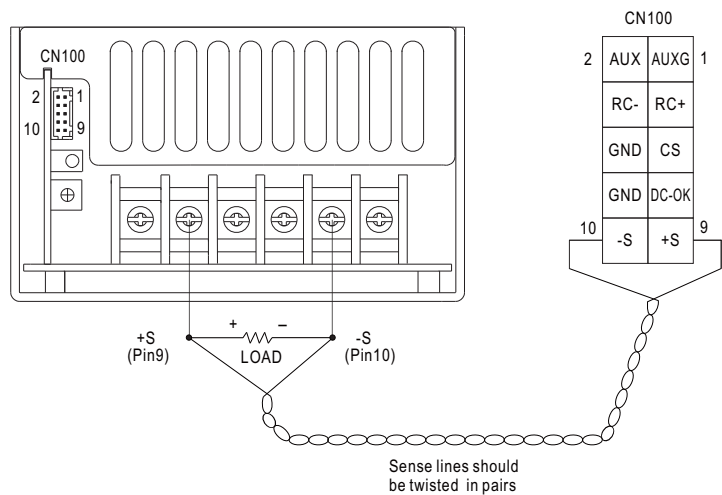


Fig 1.1

2. DC-OK Signal

DC-OK signal is a TTL level signal. High when PSU turns on.

| Between DC-OK(pin7) and GND(pin6,8) | Output Status |
|-------------------------------------|---------------|
| 3.3 ~ 5.6V | ON |
| 0 ~ 1V | OFF |

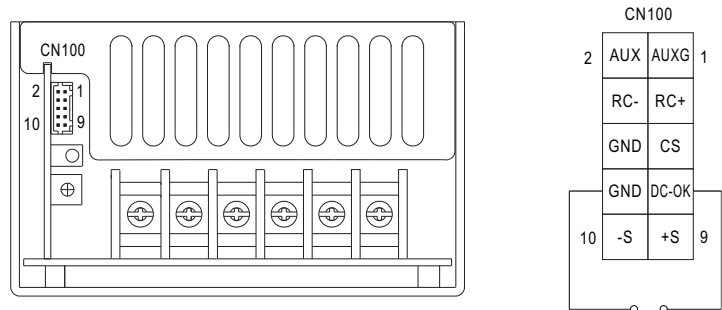


Fig 2.1

3.Remote Control

The PSU can be turned ON/OFF by using the "Remote Control" function.

| Between RC+(pin3) and RC-(pin4) | Output Status |
|---------------------------------|---------------|
| SW ON (Short) | OFF |
| SW OFF (Open) | ON |

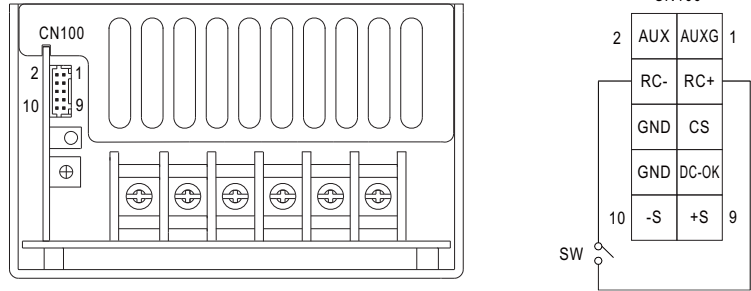


Fig 3.1

4.Current Sharing with Remote Sensing (Only for 24V, 36V and 48V)

HRPG-600 has the built-in active current sharing function and can be connected in parallel to provide higher output power :

- (1) Parallel operation is available by connecting the units as below.
(+S, -S, CS and GND are connected mutually in parallel).
- (2) Difference of output voltages among parallel units should be less than 2%.
- (3) The total output current must not exceed the value determined by the following equation.
(output current at parallel operation)=(Rated current per unit) × (Number of unit) × 0.9
- (4) In parallel operation 4 units is the maximum, please consult the manufacturer for applications of more connecting in parallel.
- (5) The power supplies should be paralleled using short and large diameter wiring and then connected to the load.

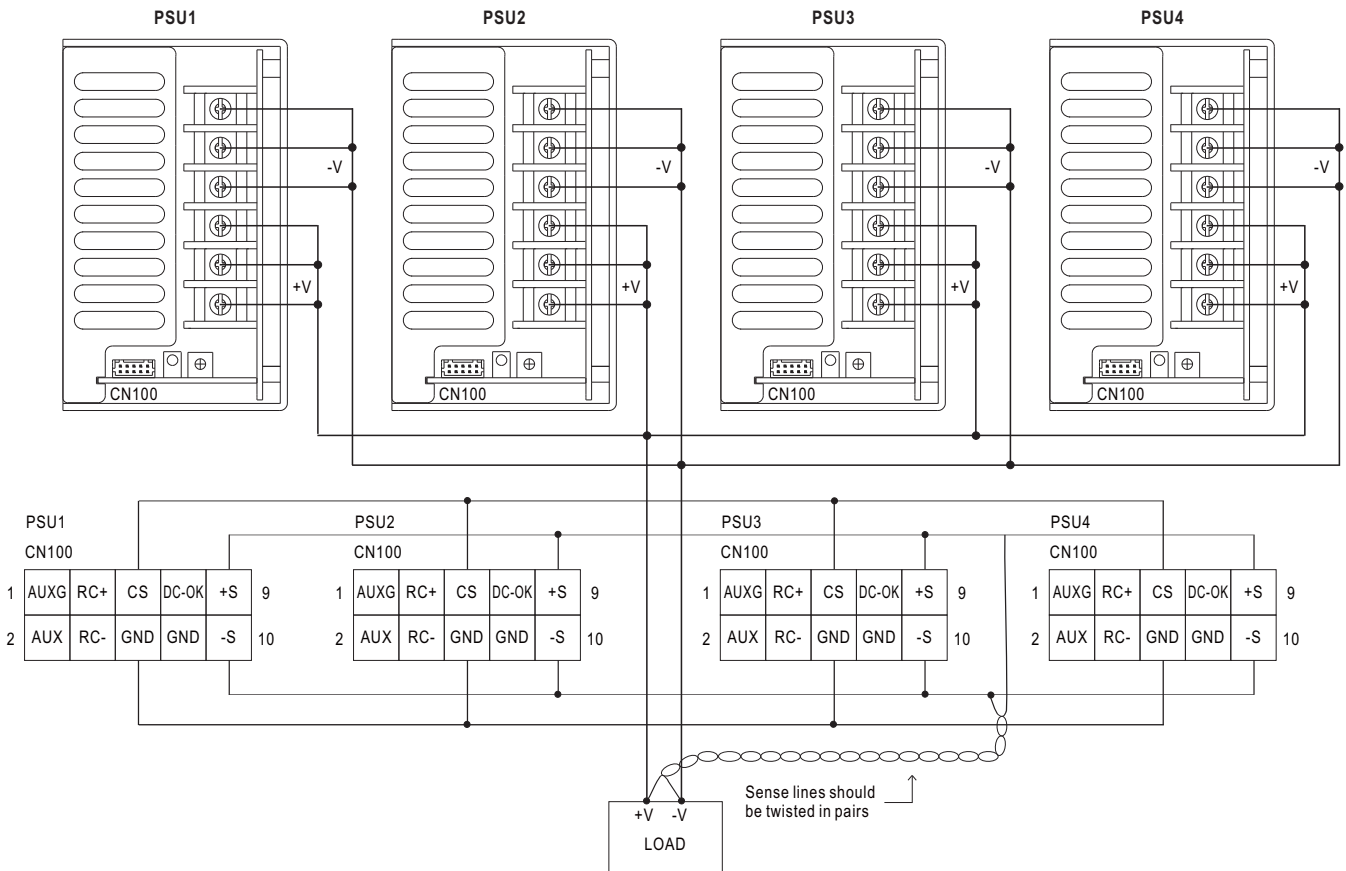


Fig 4.1

Note : 1. In parallel connection, maybe only one unit (master) operate if the total output load is less than 2% of rated load condition.
The other PSU (slave) may go into standby mode and its output LED and relay will not turn on.
2.2% min. of dummy load is required.