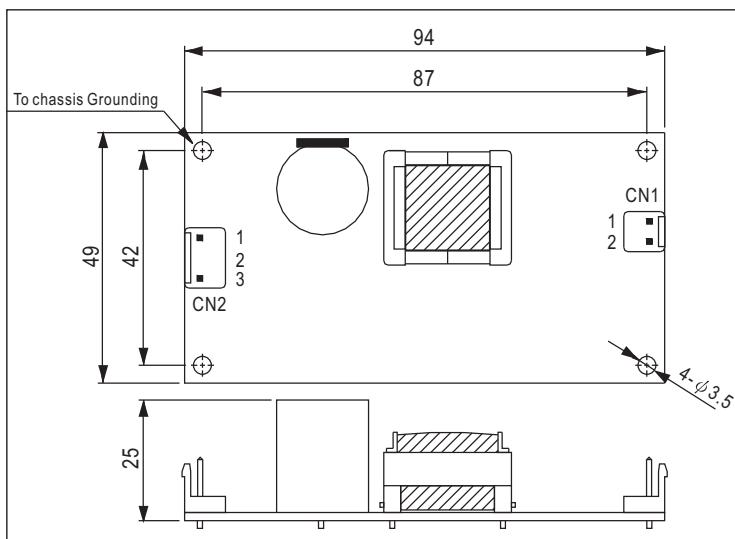
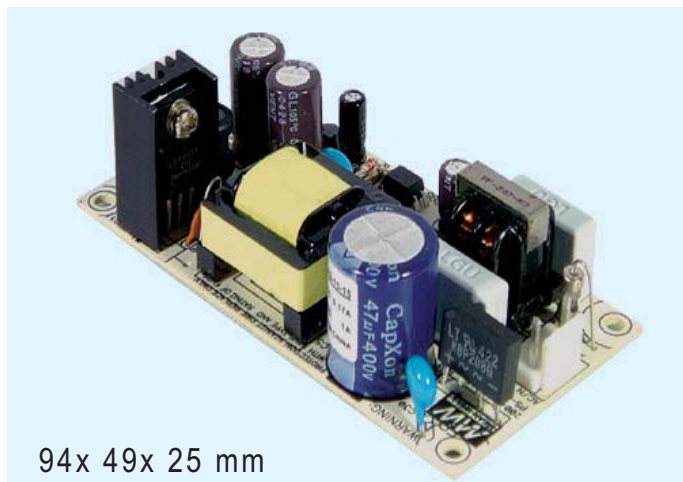


15W Single Output Switching Power Supply

- Universal AC input / Full range
- Protections: Short circuit / Overload / Over voltage / Over temp.
- Cooling by free air convection
- Fixed switching frequency at 67kHz
- Low leakage current <0.5mA
- 100% full load burn-in test
- Low cost, high reliability
- 2 years warranty

CB CE



AC input voltage range	85~264VAC; 120~370VDC
AC inrush current	Cold start, 40A at 230VAC
Overload protection	>105% hiccup mode, auto-recovery
Over voltage protection	115%~135% rated output voltage
Over temp. protection	U1, Tj:140°C, hiccup mode, auto-recovery
Leakage current	Less than 0.5mA at 240VAC
Withstand voltage	I/P-O/P: 3kVAC, I/P-FG:1.5kVAC, 1minute
Working temperature	-10~60°C (refer to output derating curve)
Safety standards	EN60950-1 CB approval by TUV
EMC standards	EN55022 class B, EN61000-3-2,3, EN61000-4-2,3,4,5,6,8,11
Connection	3P, 2P/ 3.96mm pitch, JST B3P/B2P-VH
Packing	0.083kg ; 120pcs / 10.96kg

Model No.	Output	Tol.	R&N	Effi.
PS-15-5	5V, 0~2.80A	±2%	100mV	74%
PS-15-12	12V, 0~1.25A	±2%	120mV	77%
PS-15-15	15V, 0~1.00A	±2%	120mV	78%
PS-15-24	24V, 0~0.625A	±2%	150mV	79%
PS-15-48	48V, 0~0.313A	±2%	200mV	77%