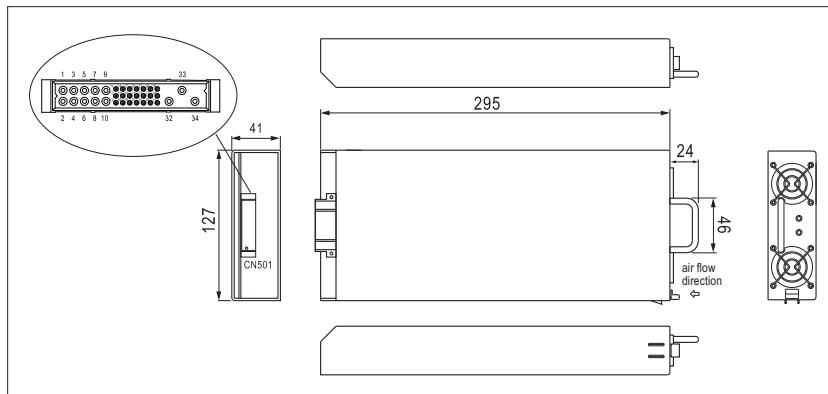


2000W 1U Rack Power System

- Universal AC input / Full range
- Built-in 5V/0.3A, 12V/0.8A auxiliary power
- Built-in active PFC function, PF>0.98
- Protections: Short circuit / Overload / Over voltage / Over temperature
- Forced air cooling by built-in DC fan
- High power density 21.4W/in³
- 1U low profile
- Active current sharing up to 6000W (3 units) in one 19" rack, 3 racks max. can be operated in parallel(up to 8 units)
- Remote control for single unit
- Built-in remote sense function
- Hot-swap operation
- PMBus serial communication
- AC OK and DC OK signal, fan fail OTP alarm signal
- 3 years warranty

 **UL / CUL / TUV / CB / CE pending**



- AC input voltage range 90~264VAC
- DC adjustment range -12%~+15% rated output voltage
- Overload protection 105%~125% constant current limiting, auto-recovery
- Over voltage protection 120%~140% rated output voltage
- Setup, rise, hold up time 1500ms, 60ms, 16ms at full load and 230VAC
- Withstand voltage I/P-O/P:3kVAC, I/P-FG:1.5kVAC, 1 minute
- Working temperature -25~+70°C(refer to output derating curve)
- Safety standards Design refer to UL60950-1, TUV EN60950-1
- EMC standards EN55022 Class B, EN61000-3-2,-3, EN61000-4-2,3,4,5,6,8,11, ENV50204, EN61000-6-2 heavy industry level

Model No.	Output	Tol.	R&N	Effi.
RCP-2000-12	12V, 0~100A	±1%	150mV	86.0%
RCP-2000-24	24V, 0~80A	±1%	200mV	90.5%
RCP-2000-48	48V, 0~42A	±1%	300mV	92.0%