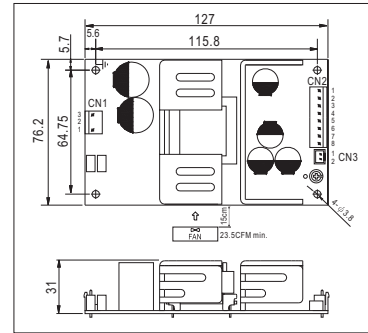
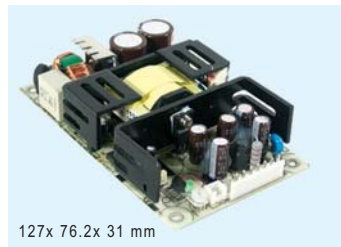
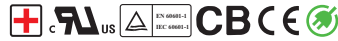


## 75W 1~3 Output Medical Type

- Universal AC input / Full range
- Medical safety approved
- Protections: Short circuit / Overload / Over voltage
- No load power consumption <0.75W (single output models only)
- Low leakage current <200uA
- Fixed switching frequency at 65kHz
- Free air convection for 75W and 100W with 23.5CFM forced air
- 3 years warranty
- Suitable for medical & IT applications



AC input voltage range ..... 90~264VAC; 127~370VDC  
 AC inrush current ..... Cold start, 25A at 115VAC, 50A at 230VAC  
 DC adjustment range ..... CH1: -5%~+10% rated output voltage  
 Overload protection ..... 140%~180% hiccup mode, auto-recovery  
 Over voltage protection ..... CH1: 115%~135% rated output voltage  
 Leakage current ..... Less than 200uA at 264VAC  
 Setup, rise, hold up time .... 500ms, 30ms, 80ms at full load and 230VAC  
 Withstand voltage ..... I/P-O/P: 4kVAC, I/P-FG: 1.5kVAC, 1 minute  
 Working temperature ..... -20°C ~ +70°C (refer to output derating curve)  
 Safety standards ..... UL60601-1, TUV EN60601-1 approved  
 EMC standards ..... EN55011 / EN55022 class B, EN61000-3-2,-3, EN61000-4-2,3,4,5,6,8,11, ENV50204, EN61000-6-2, EN60601-1-2, EN61204-3 medical level  
 Connection ..... 3+8P / 3.96mm pitch, JST P/N: B3P / B8P-VH  
 Packing ..... 0.23kg ; 63pcs / 15.5kg / 1.35CUFT

### ❖ Single Output

Model No.	Output	Tol.	R&N	Effi.
RPS-75-3.3	3.3V, 0~20A	±2%	80mV	73%
RPS-75-5	5V, 0~18.7A	±2%	80mV	78%
RPS-75-12	12V, 0~8.3A	±1%	120mV	82%
RPS-75-15	15V, 0~6.7A	±1%	150mV	83%
RPS-75-24	24V, 0~4.2A	±1%	240mV	85%
RPS-75-36	36V, 0~2.8A	±1%	300mV	86%
RPS-75-48	48V, 0~2.1A	±1%	300mV	86%

### ❖ Dual Output

Model No.	Output	Tol.	R&N	Effi.	Max.
RPD-75A	5V, 1.0~9.5A	±2%	80mV	77%	96W
	12V, 0.3~4.0A	±6%	120mV		
RPD-75B	5V, 1.0~6.8A	±2%	80mV	79%	99W
	24V, 0.2~2.7A	±6%	200mV		

### ❖ Triple Output

Model No.	Output	Tol.	R&N	Effi.	Max.
RPT-75A	5V, 0.6~8.0A	±2%	80mV	76%	93W
	12V, 0.2~4.0A	±6%	120mV		
	-5V, 0.1~1.0A	±5%	120mV		
RPT-75B	5V, 0.6~8.0A	±2%	80mV	77%	100W
	12V, 0.2~4.0A	±6%	120mV		
	-12V, 0.1~1.0A	±5%	120mV		
RPT-75C	5V, 0.6~8.0A	±2%	80mV	77%	100W
	15V, 0.1~3.0A	±8%	150mV		
	-15V, 0.1~1.0A	±5%	150mV		
RPT-75D	5V, 0.6~7.0A	±2%	80mV	79%	95W
	24V, 0.1~2.0A	±8%	200mV		
	12V, 0.1~1.0A	±8%	120mV		
RPT-7503	3.3V, 0.7~7.0A	±4%	80mV	74%	81W
	5V, 0.0~8.0A	±6%	120mV		
	12V, 0.0~1.5A	+10%,-6%	120mV		